

NRW?

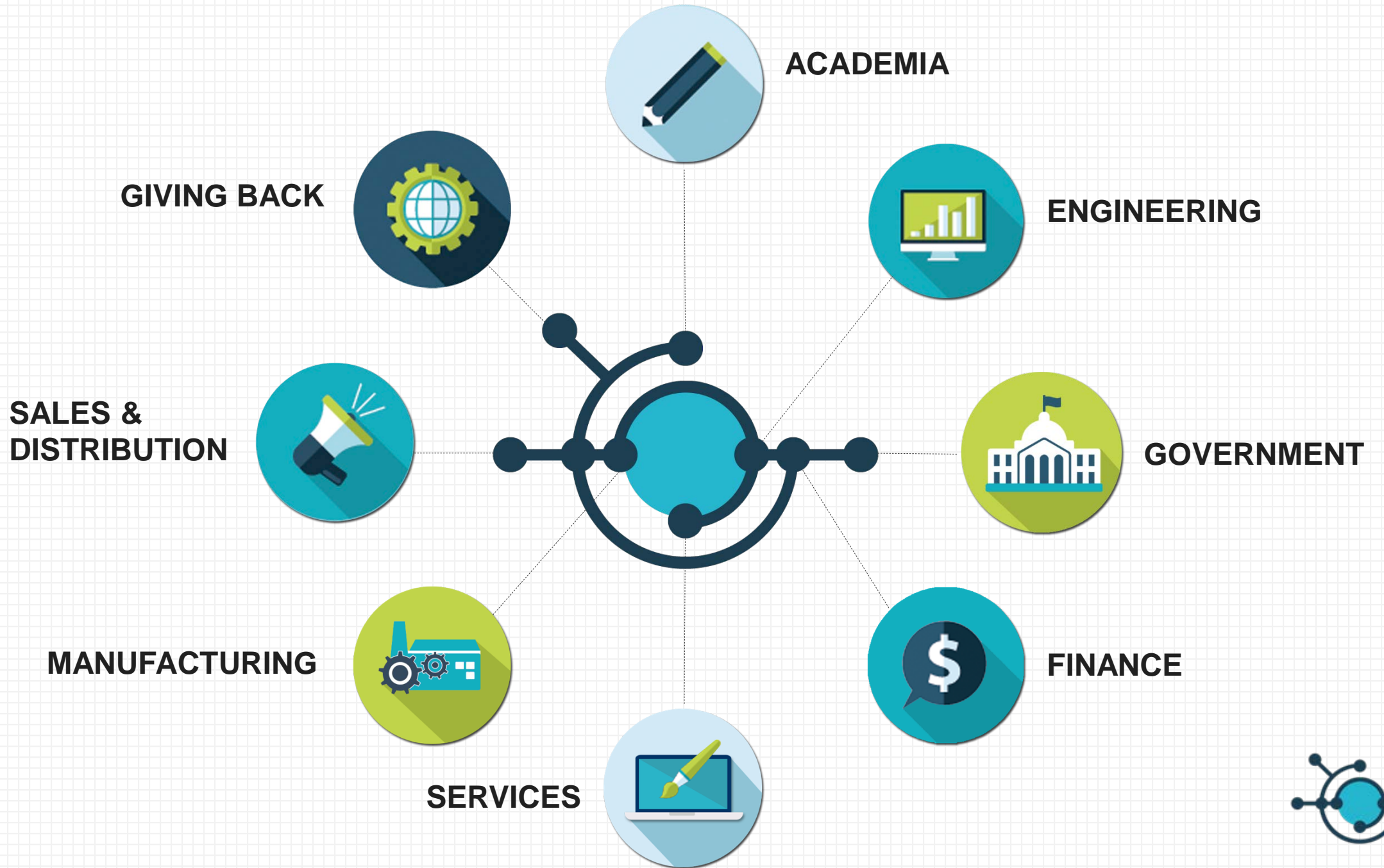
Non-Revenue Water

WMMW

Wasted Money & Water

Andrew Yeghnazar
AYeghnazar@WaterTechHub.com
Water Technology Hub





- **Reduce**
- **Reuse**
- **Replenish**
- **Reserve**



REDUCE: In the U.S. we lose

**7 BILLION
GALLONS**
every single day



THE CAUSES



LEAKS



**MAIN
BREAKS**



THEFT



**METER
ERRORS**



THIS COULD'VE BEEN PREVENTED

Westwood, July 2014



THE NUMBERS ANNUALLY IN THE U.S.



Water Line Breaks

237,600



Gallons of Water Lost

1.7 trillion

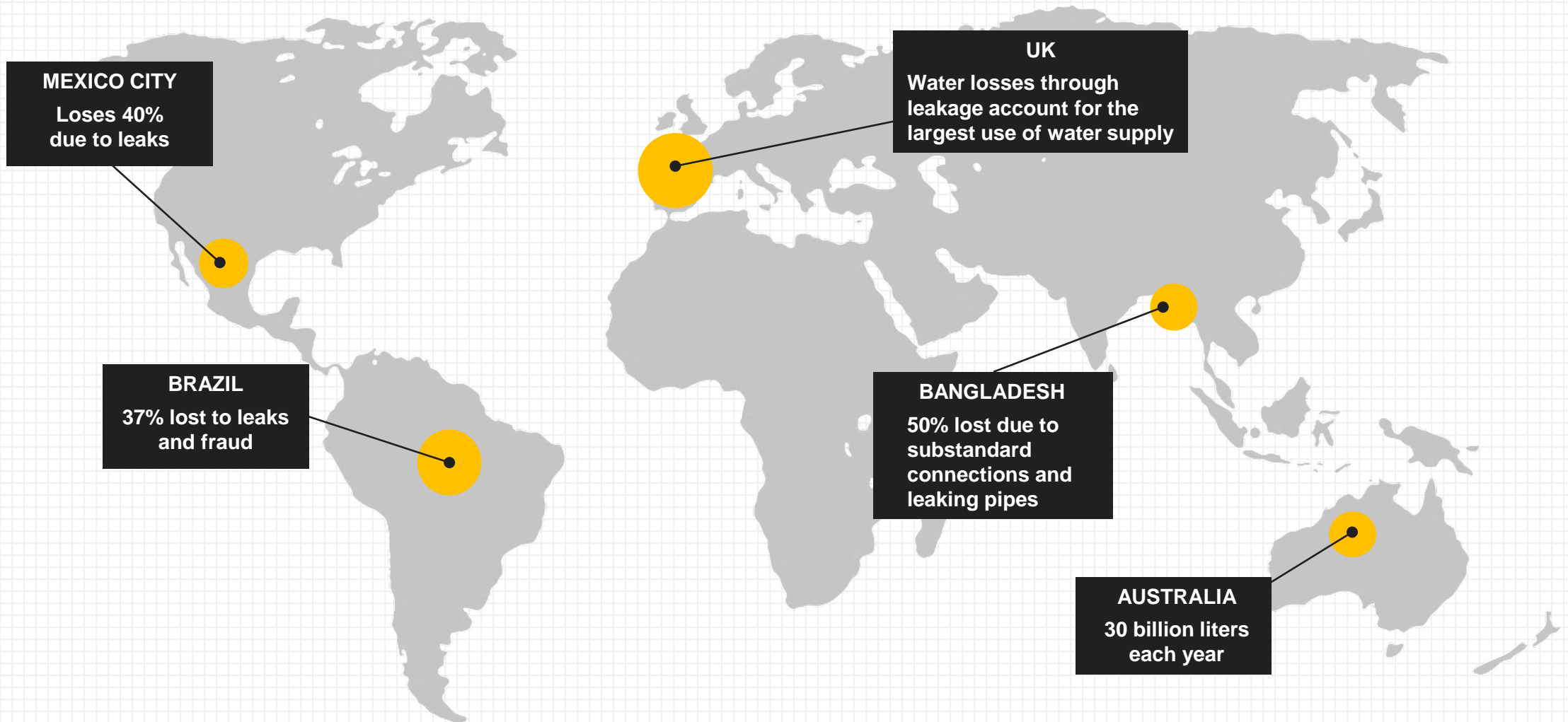


Which Costs Us

\$2.8 billion



IBM reports worldwide, up to **60%** of water is lost due to leaky pipes



More than 2.8 billion people in 48 countries will face water stress or scarcity conditions by 2025.



Global Epidemic

\$14 BILLION

The cost to Water Utilities globally caused by NRW is *conservatively* estimated at \$14billion

45 MILLION CU METERS

With 45 million metric cubic meters lost daily through water leakage in Distribution networks – **Daily!**

200 MILLION PEOPLE

This wasted water would have been enough to serve 200million people

30 MILLION CU METERS

Similarly 30 million cubic meters are delivered daily but not invoiced
Because of pilferage employee corruption and poor metering

LOST REVENUE

If we could cut the wasted water by 50%
This reduction would generate an additional \$2.9 billion in cash every year!
And would enable service of an additional **90 million people** – so we get the idea it's HUGE Problem.



ACTION?

**Why aren't we making a
breakthrough and improving?**

INNOVATION & PREVENTION



Current methods are expensive, labor intensive, and inconvenient.

Time to look at smart technologies & implementation.

**Small ideas out there can lead to big changes
with the right network.**



A Starting Solution



REDUCE/PREVENT



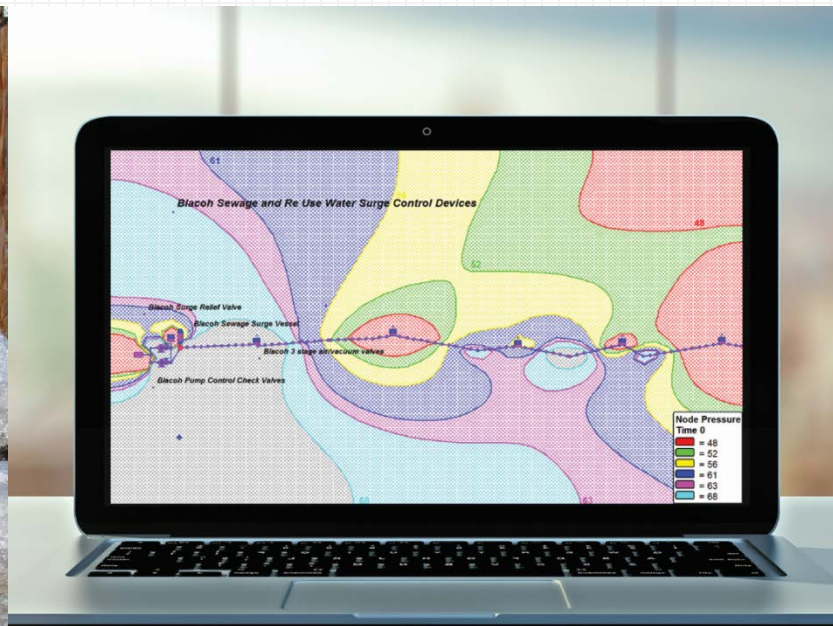
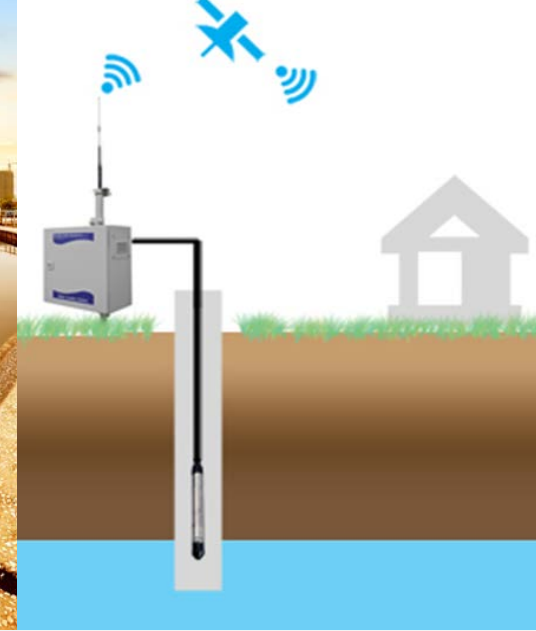
Identify

- Be able to find where the leaks are occurring
- Evolving world of sensors
- Ultrasonic instrumentation to gather system data
- Smart leak detection tools



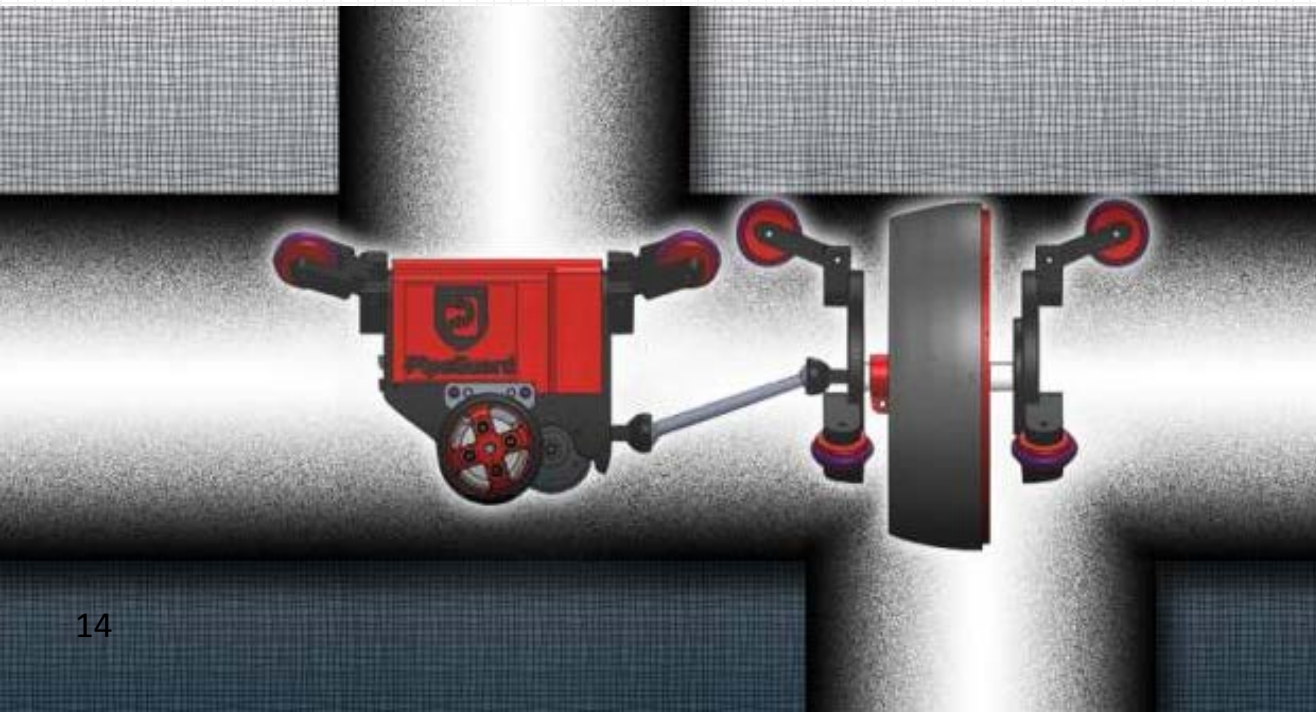
Predict

- Prevent the leaks before they happen
- Monitoring systems
- Analyzing using Proof Of Design
- Smart city solutions
- Leak control programs



Fix

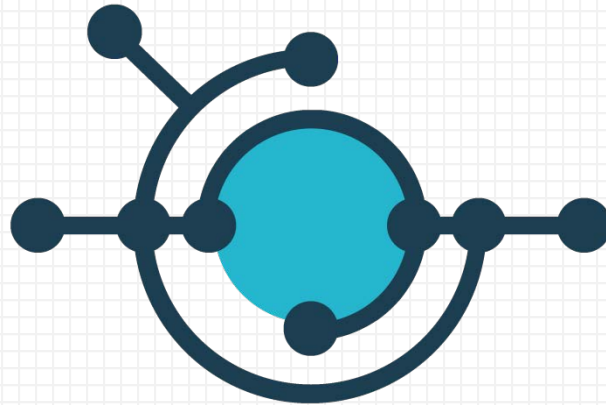
- Repairing broken pipes without the huge costs
- Autonomous robots
- Underwater welding
- Pipe relining



Next Step Actions

How do these smart ideas reach a bigger audience?

That's where we play a role



WATER TECHNOLOGY HUB
COMMERCIALIZING WATER INNOVATIONS



Disruptive Collaboration

Water affects every aspect and corner of the world.

Everyone is used to working in their separate silos, but until we work together and share ideas, we cannot get things done.

Collaboration can lead to Prevention



**Please do
Connect with Us**

We want to be agents of change and that can be enhanced through meaningful partnerships with groups like yours.

WaterTechnologyHub.com

Info@WaterTechHub.com

Address

2400 Lincoln Ave, Suite 111
Altadena, CA 91001

